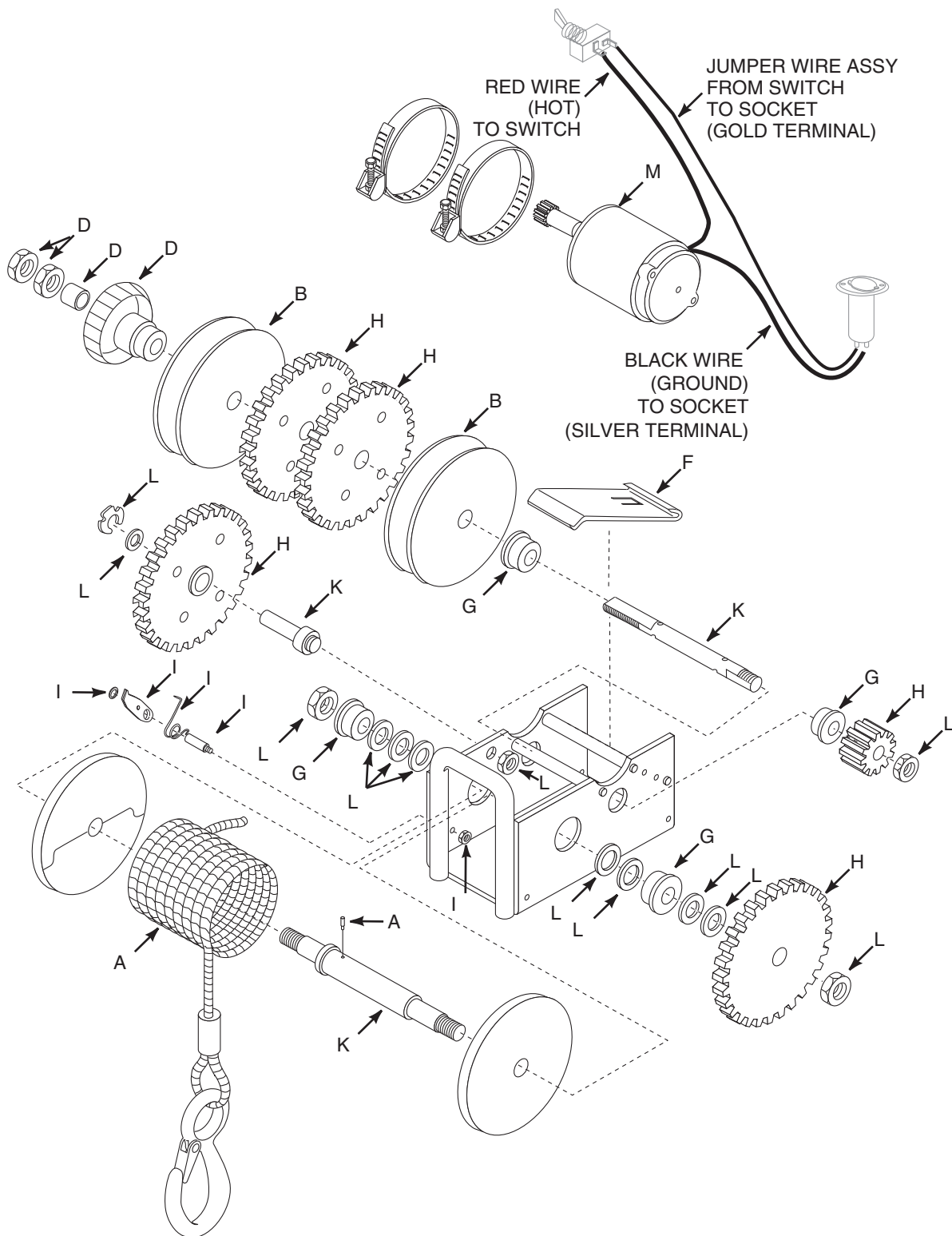


Model 215 Winch

Replacement Parts Guide



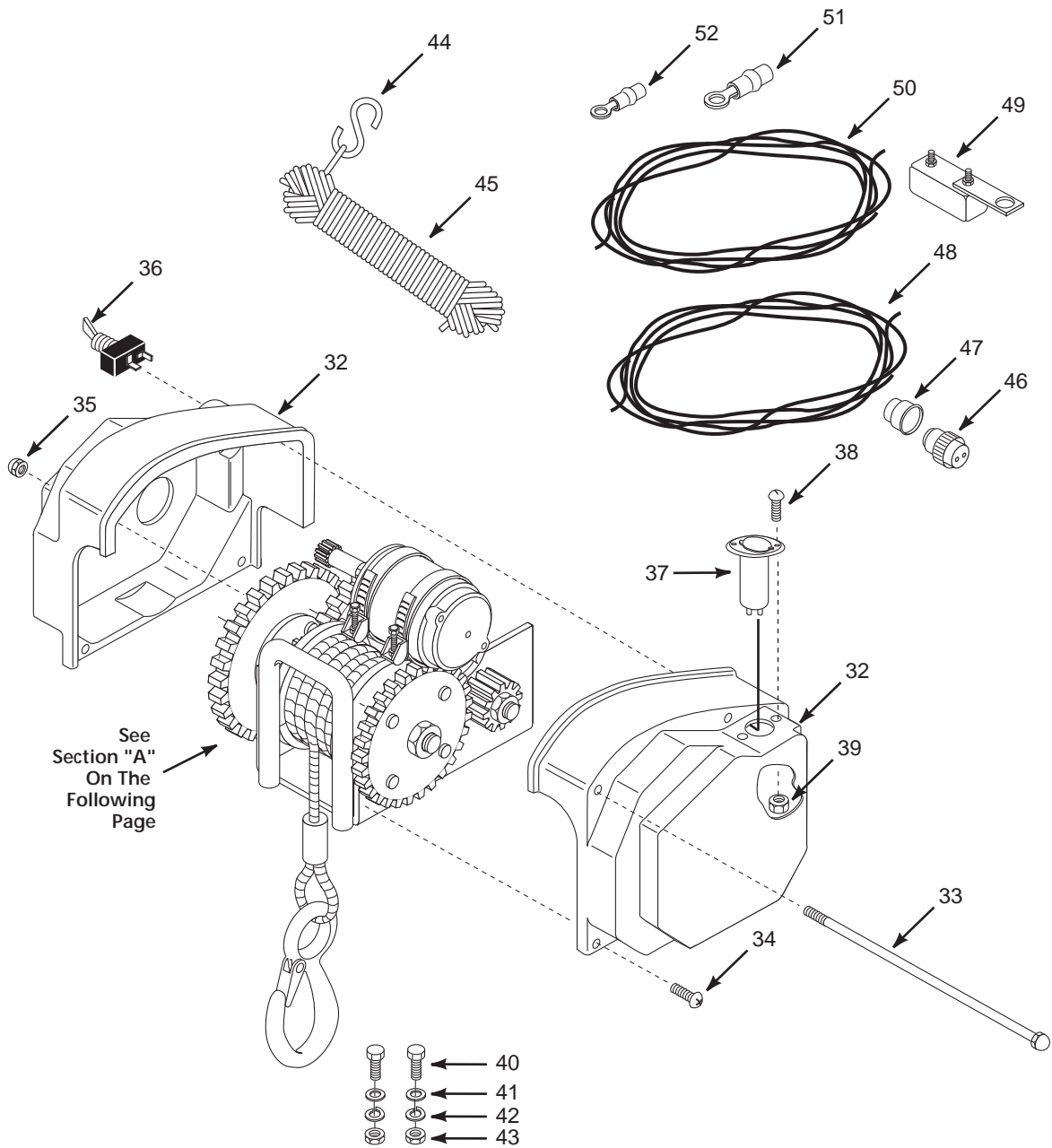
For Replacement Parts, Call 1-800-397-7553

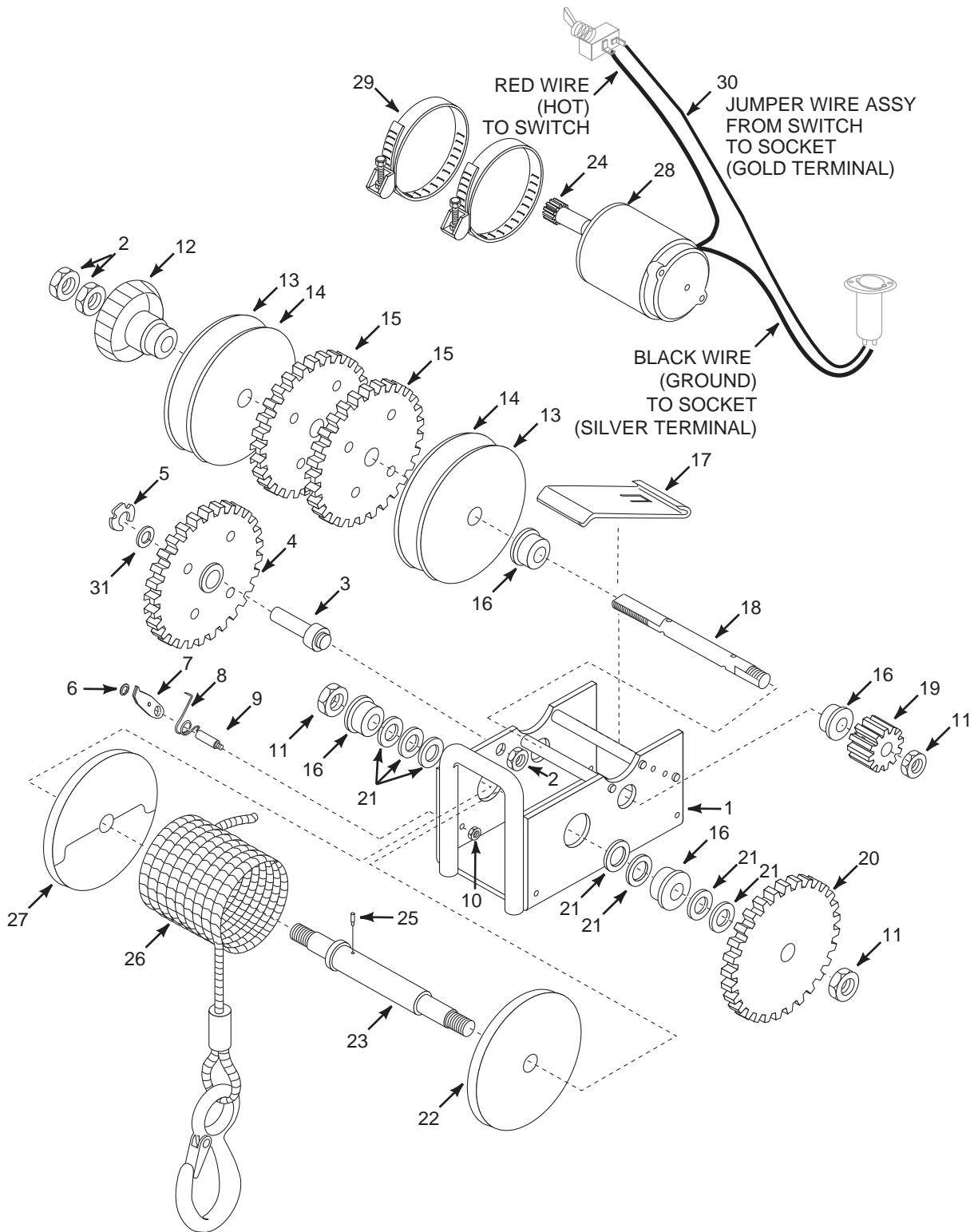
www.tesstools.net

Replacement Parts List

PART NUMBER	DESCRIPTION	ITEM
P7188500AJ	REPLACEMENT CABLE	A
R001262	CLUTCH KIT	B
R001267	SWITCH KIT	C
P7940500AJ	CLUTCH KNOB KIT	D
P7816100AJ	SOCKET KIT (*)	E
R001260	LEVELWIND PLATE KIT	F
R001263	BEARING KIT	G
R001264	GEAR KIT	H
R001265	RATCHET PAWL KIT	I
R001332	COVER KIT (*)	J
R001268	SHAFT KIT	K
R001269	FASTENER KIT	L
R001274	MOTOR WITH GEAR	M
P7833901AJ	WIRING HARNESS	N
P7901300AJ	LANYARD CORD	O

* Denotes fasteners are included with kit





For Replacement Parts, Call 1-800-397-7753

tesstools.net

Ref. No.	Description	Part Number	Qty
1	Frame assembly	P10776	1
2	1/2"-20 Hex nut	P79713	3
3	Compound gear stud	P75608	1
4	Compound gear assembly	P10777	1
5	3/8 ID retainer ring	ST070235AV	1
6	Ring pawl retainer	P70204	1
7	Pawl	P73853	1
8	Pawl spring	P71912	1
9	Pawl stud	P75600	1
10	3/8"-16 Hex jam nut	P79028	1
11	1/2-20 Lock nut	P79738	3
12	Clutch knob assembly	P79405	1
13	Clutch plate	P75302	2
14	Clutch lining	P73601	2
15	Clutch gear	P72999	2
16	Bearing	P71607	4
17	Levelwind plate	P70213	1
18	Rear shaft	P71212	1
19	Gear, pinion 12T	P71704	1
20	Cable shaft drive gear	P10778	1
21	1/2" Flatwasher	P71822	7
22	Solid cable shaft flange	P71955	1
23	Cable shaft	P71303	1
24	Motor gear	P71721	1
25	Cable fastener	P71858	1
26	Cable assembly	P71885	1
27	Split cable shaft flange	P71956	1
28	Motor assembly	P90045	1
29	Quick release motor clamp	ST161301AV	2
30	Jumper wire assy (power socket to switch)	P78040	1
31	.030 Race thrust washer	P71612	1
32	Cover	P10918	1
33	Cover rod	P75603	2
34	#10-32 x 1/2" Phillips head machine screw, self tapping	P79566	4
35	Acorn Nut	P79719	4
36	Toggle switch	P78126	1
37	Socket	P78161	1
38	5-40 x 1-1/2" Phillips head machine screw	ST071622AV	2
39	5-40 Hex nut w/tth lock	ST162803AV	2
40	3/8-16 x 1-1/4" Hex head machine screw	P78654	2
41	3/8" Plain washer	ST070913AV	2
42	3/8" Lockwasher	P79804	2
43	3/8"-16 Hex nut	P79710	2
44	"S" hook	P79013	1
45	Lanyard cord	P79014	1
46	Plug	P78160	1
47	Boot	P78128	1
48	Wire 12 gauge (red wire)	P78530	1
49	Circuit breaker	P7832300AJ	1
50	Wire 12 gauge (black wire)	P78531	1
51	5/16" Ring terminal	ST072726AV	1
52	#10 Ring terminal	ST072728AV	1